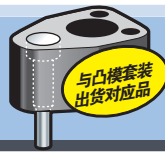


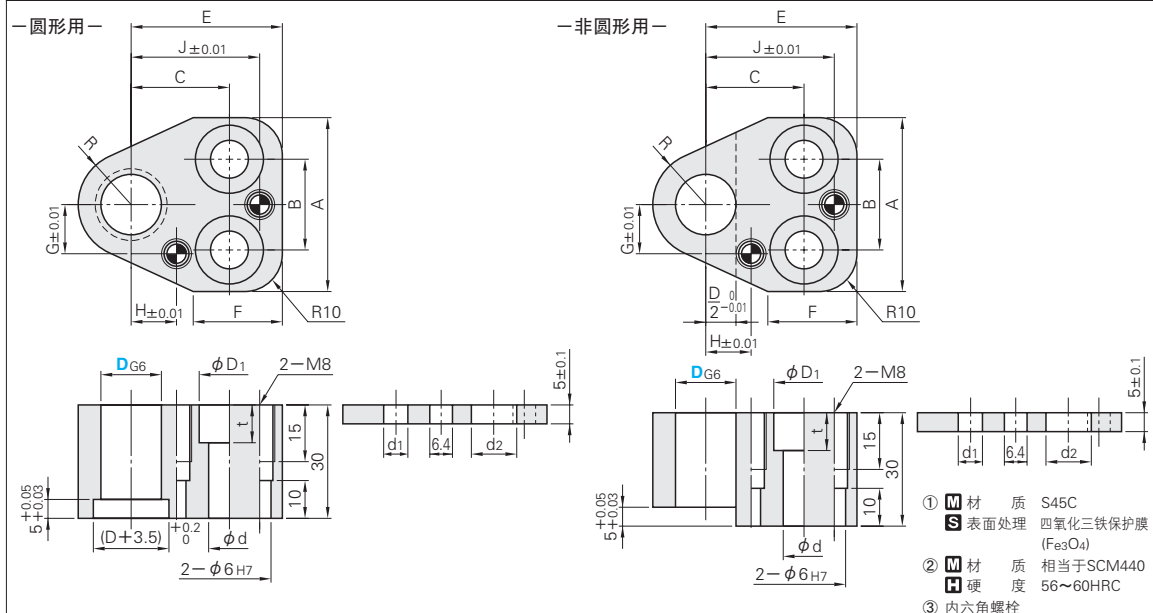
NC加工用固定块组件

一定位销孔型凸模用一



凸模与固定块成组装的状态交货。详细 P.753

| 圆形凸模・圆形凹模用 | | | | | 非圆形凸模・非圆形凹模用 | | | | | | | | | | |
|------------|--------|-------------|------|---|--------------|---|---|-----|-------|-------|---|---|---|---|---|
| 圆形用 | 固定块No. | Catalog No. | 构成零件 | | | | | | | | | | | | |
| 凸模用 | DA1 | DP-AP | ① | ② | ③ | ④ | ⑤ | 凸模用 | DF1 | DP-FP | ① | ② | ③ | ④ | ⑤ |
| | DA2 | DPAR | ○ | ○ | ○ | ○ | ○ | | DF2 | DPFR | ○ | ○ | ○ | ○ | ○ |
| 凹模用 | — | BPC | ○ | ○ | ○ | ○ | ○ | — | BPC | ○ | ○ | ○ | ○ | ○ | |
| | — | DP-AD | ○ | ○ | ○ | ○ | ○ | — | DP-FD | ○ | ○ | ○ | ○ | ○ | |
| — | BDC | ○ | ○ | ○ | ○ | ○ | — | BDC | ○ | ○ | ○ | ○ | ○ | | |
| 仅主体 | DA3 | DP-AN | ○ | ○ | ○ | ○ | ○ | 仅主体 | DF3 | DP-FN | ○ | ○ | ○ | ○ | ○ |



| Catalog No. | | D | D _{G6} | A | B | C | E | F | G | H | J | R | D ₁ | d | t | d ₂ | d ₁ | | A 附件 ③④⑤ |
|-----------------------------------|------------------------------------|----|------------------|----|----|----|----|----|----|----|----|------|----------------|----|----|----------------|----------------|------|------------------------------|
| Type | Type | | | | | | | | | | | | | | | | BPC | BDC | |
| 一圆形用 DP-AP DP-AD (①②③④⑤) | 一非圆形用 DP-FP DP-FD (①②③④⑤) | 10 | +0.014 +0.005 | 37 | 20 | 21 | 35 | 20 | 10 | 9 | 29 | 9.5 | 14 | 9 | 10 | 10 | 6.2 | 7.4 | ③M8-40 ④MSTM6-30 ⑤MSW8 |
| | | 13 | | 43 | 26 | 23 | 38 | | 13 | 11 | 32 | 12 | | | | | | 14 | 9 |
| | | 16 | +0.017 +0.006 | 44 | 24 | 26 | 40 | | 13 | 12 | 34 | 14 | | | | | | 11.6 | ③M10-40 |
| | | 20 | +0.020 +0.007 | 48 | 28 | 27 | 42 | | 16 | 14 | 36 | 17 | | | | | | 13.6 | ④MSTM6-30 |
| | | 25 | | 50 | | 30 | 46 | | 18 | 17 | 39 | 19.5 | | | | | | 17.6 | ⑤MSW8 |
| | | 32 | | 54 | 30 | 33 | 48 | | 21 | 20 | 42 | 23 | | | | | | 21.6 | ③M12-40 |
| | | 38 | +0.025 +0.009 | 58 | | 35 | 52 | | 23 | 23 | 46 | 26 | 19 | 13 | 14 | 14 | | 27.6 | ④MSTM6-30 |
| | | 45 | | 64 | 34 | 38 | 56 | | 26 | 27 | 50 | 29.5 | | | | | | 37.0 | ⑤MSW8 |

Order 订货范例
Catalog No. DP-AP 25

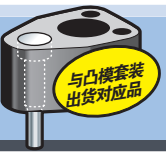
Delivery 交货期
一固定块一 库存品

隔日上海・广州发货 (17:00前订购的库存品可当日发货。)
数量≥101时, 请另询交货期。

一凸模套装一 3天发货

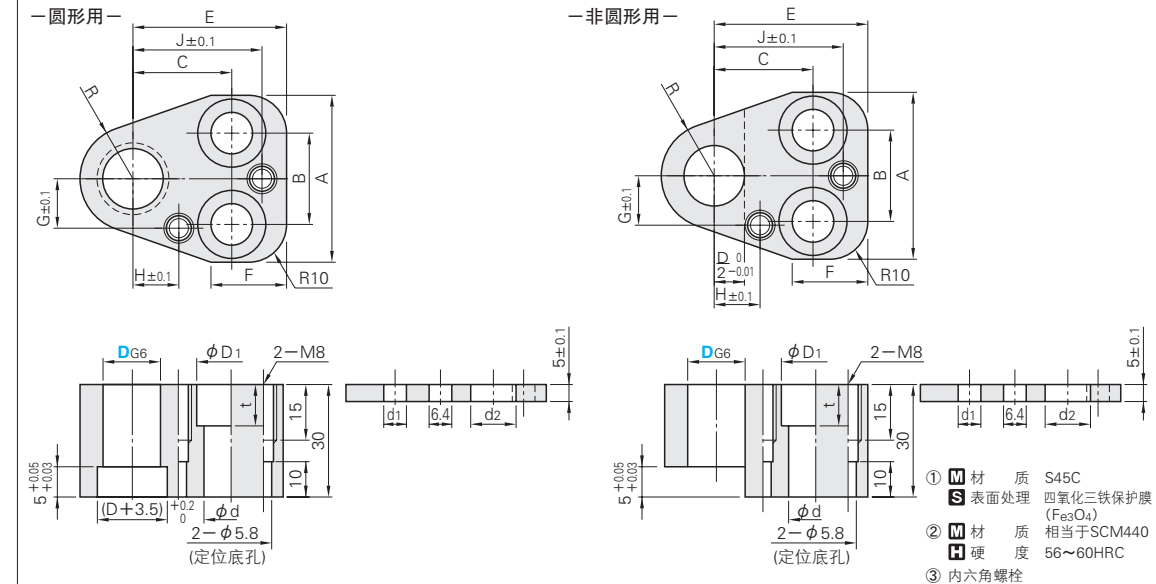
上海・广州发货
数量≥101时, 请另询交货期。

刃口配合加工用固定块组件



凸模与固定块成组装的状态交货。详细 P.753

| 圆形凸模・圆形凹模用 | | | | | 非圆形凸模・非圆形凹模用 | | | | | | | | | | |
|------------|--------|-------------|------|---|--------------|---|---|-----|-------|-------|---|---|---|---|---|
| 圆形用 | 固定块No. | Catalog No. | 构成零件 | | | | | | | | | | | | |
| 凸模用 | CA1 | CP-AP | ① | ② | ③ | ④ | ⑤ | 凸模用 | CF1 | CP-FP | ① | ② | ③ | ④ | ⑤ |
| | CA2 | CPAR | ○ | ○ | ○ | ○ | ○ | | CF2 | CPFR | ○ | ○ | ○ | ○ | ○ |
| 凹模用 | — | BPC | ○ | ○ | ○ | ○ | ○ | — | BPC | ○ | ○ | ○ | ○ | ○ | |
| | — | CP-AD | ○ | ○ | ○ | ○ | ○ | — | CP-FD | ○ | ○ | ○ | ○ | ○ | |
| — | BDC | ○ | ○ | ○ | ○ | ○ | — | BDC | ○ | ○ | ○ | ○ | ○ | | |
| 仅主体 | CA3 | CP-AN | ○ | ○ | ○ | ○ | ○ | 仅主体 | CF3 | CP-FN | ○ | ○ | ○ | ○ | ○ |



| Catalog No. | | D | D _{G6} | A | B | C | E | F | G | H | J | R | D ₁ | d | t | d ₂ | d ₁ | | A 附件 ③④⑤ |
|-----------------------------------|------------------------------------|----|------------------|----|----|----|----|----|----|----|----|------|----------------|----|----|----------------|----------------|------|------------------------------|
| Type | Type | | | | | | | | | | | | | | | | BPC | BDC | |
| 一圆形用 CP-AP CP-AD (①②③④⑤) | 一非圆形用 CP-FP CP-FD (①②③④⑤) | 10 | +0.014 +0.005 | 37 | 20 | 21 | 35 | 20 | 10 | 9 | 29 | 9.5 | 14 | 9 | 10 | 10 | 6.2 | 7.4 | ③M8-40 ④MSTM6-30 ⑤MSW8 |
| | | 13 | +0.017 +0.006 | 43 | 26 | 23 | 38 | | 13 | 11 | 32 | 12 | | | | | | 14 | 9 |
| | | 16 | | 44 | 24 | 26 | 40 | | 13 | 12 | 34 | 14 | | | | | | 11.6 | ③M10-40 |
| | | 20 | +0.020 +0.007 | 48 | 28 | 27 | 42 | | 16 | 14 | 36 | 17 | | | | | | 13.6 | ④MSTM6-30 |
| | | 25 | | 50 | | 30 | 46 | | 18 | 17 | 39 | 19.5 | | | | | | 17.6 | ⑤MSW8 |
| | | 32 | | 54 | 30 | 33 | 48 | | 21 | 20 | 42 | 23 | | | | | | 21.6 | ③M12-40 |
| | | 38 | +0.025 +0.009 | 58 | | 35 | 52 | | 23 | 23 | 46 | 26 | 19 | 13 | 14 | 14 | | 27.6 | ④MSTM6-30 |
| | | 45 | | 64 | 34 | 38 | 56 | | 26 | 27 | 50 | 29.5 | | | | | | 37.0 | ⑤MSW8 |

Order 订货范例
Catalog No. CP-AP 25

Delivery 交货期
一固定块一 库存品

隔日上海・广州发货 (17:00前订购的库存品可当日发货。)
数量≥101时, 请另询交货期。

一凸模套装一 3天发货

上海・广州发货
数量≥101时, 请另询交货期。